

Roll No:

--	--	--	--	--	--	--	--	--	--	--	--	--	--	--	--	--	--	--

BTECH
(SEM I) THEORY EXAMINATION 2021-22
BASIC ELECTRICAL ENGG

Time: 3 Hours

Total Marks: 100

Notes:

- Attempt all Sections and Assume any missing data.
- Appropriate marks are allotted to each question, answer accordingly.

SECTION-A	Attempt All of the following Questions in brief	Marks (10X2=20)
Q1(a)	Define the expression for form factor and peak factor	
Q1(b)	State Kirchoff's law.	
Q1(c)	Define electromotive force	
Q1(d)	Define power factor	
Q1(e)	Write the statement of superposition theorem	
Q1(f)	What is the function of commutator in DC generator	
Q1(g)	What is KVA rating of a transformer	
Q1(h)	Draw the no load phasor diagram of a transformer	
Q1(i)	Define a slip of an induction motor	
Q1(j)	What is called synchronous speed in AC machines	

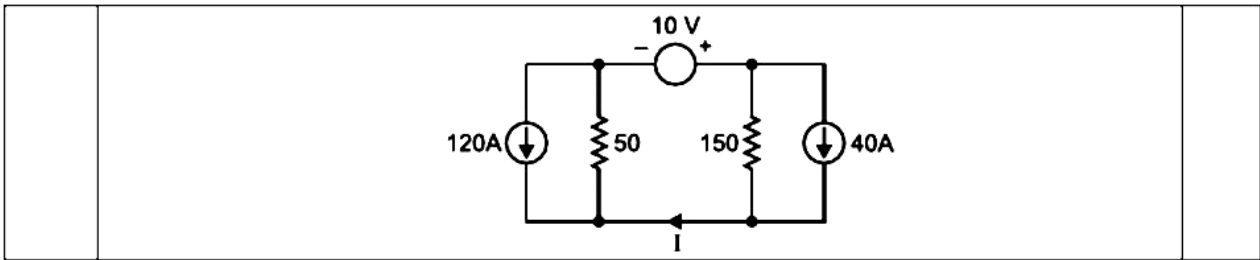
SECTION-B	Attempt ANY THREE of the following Questions	Marks (3X10=30)
Q2(a)	(i) Derive the emf equation of a transformer (ii) Derive the condition for maximum efficiency in single phase transformer	
Q2(b)	i) List all the important parts of a D.C. Motor and explain the importance of each.. ii) Calculate the emf generated by 4 pole wave wound generator having 65 slots with 12 conductors per slot when driven at 1200 rpm. The flux per pole is 0.02 wb.	
Q2(c)	Using Thevenin theorem, find current in $1\ \Omega$ resistor in the circuit shown in figure below: <div style="text-align: center;"> </div>	
Q2(d)	Use nodal analysis to find the voltage across and current through $4\ \Omega$ resistor in Figure given below: <div style="text-align: center;"> </div>	
Q2(e)	Use superposition theorem to find current I in the circuit shown in Figure below. All resistances are in ohms.	



Roll No:

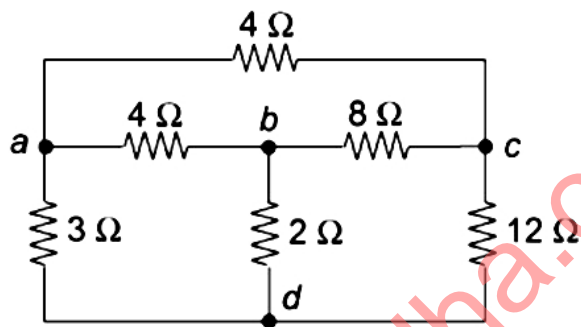
--	--	--	--	--	--	--	--	--	--	--	--	--	--	--	--	--	--	--	--

BTECH
(SEM I) THEORY EXAMINATION 2021-22
BASIC ELECTRICAL ENGG

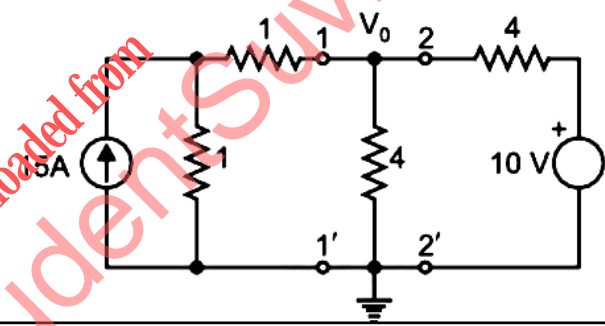


SECTION-C Attempt **ANY ONE** following Question Marks **(1X10=10)**

Q3(a) Reduce the network of Fig. 1 to obtain the equivalent resistance as seen between nodes ad.



Q3(b) With the help of Norton's theorem, find V_0 in the circuit shown below. All resistances are in Ohms.



SECTION-C Attempt **ANY ONE** following Question Marks **(1X10=10)**

Q4(a) A series R - L - C circuit consists of $R = 1000 \text{ Ohm}$, $L = 100 \text{ mH}$ and $C = 10 \text{ } \mu\text{F}$. The applied voltage across the circuit is 100 V.
(i) Find the resonant frequency of the circuit.
(ii) Find the quality factor of the circuit at the resonant frequency.
(iii) At what angular frequencies do the half power points occur?
(iv) Calculate the bandwidth of the circuit.

Q4(b) Three impedances of $(70.7 + j 70.7) \text{ Ohm}$, $(120 + j 160) \text{ Ohm}$ and $(120 + j 90) \text{ Ohm}$ are connected in parallel across a 250 V supply. Determine (i) admittance of the circuit (ii) supply current and (iii) circuit power factor.

SECTION-C Attempt **ANY ONE** following Question Marks **(1X10=10)**

Q5(a) A transformer on no-load has a core loss of 50W, draws a current of 2A and has an induced emf of 230V. Determine the no-load power factor, core loss current and magnetizing current. Also, calculate the no-load circuit parameters of the transformer. Neglect winding resistance and leakage flux.

Q5(b) Explain the performance of principal of operation of single phase transformer.



PAPER ID-411442

Printed Page: 3 of 3

Subject Code: KEE101

Roll No:

--	--	--	--	--	--	--	--	--	--	--	--	--	--	--	--	--	--	--	--

BTECH
(SEM I) THEORY EXAMINATION 2021-22
BASIC ELECTRICAL ENGG

SECTION-C	Attempt ANY ONE following Question	Marks (1X10=10)	
Q6(a)	A 4-pole generator with 400 armature conductors has a useful flux of 0.04Wb per pole. What is the emf produced if the machine is wave wound and runs at 1200rpm? What must be the speed at which the machine should be driven to generate the same emf if machine is lap wound?		
Q6(b)	An 8-pole, 400V shunt motor has 960 wave connected armature conductors. The full load armature current is 40A and flux per pole is 0.02Wb. The armature resistance is 0.1Ω and the contact drop is 1V per brush. Calculate the full load speed of the motor.		

SECTION-C	Attempt ANY ONE following Question	Marks (1X10=10)	
Q7(a)	(i) Explain the slip torque characteristics of the three-phase induction motor (ii) The voltage applied to the stator of a three phase, 4 pole induction motor has frequency of 50 Hz. The frequency of the emf induced in the rotor is 15.5 Hz. Determine the slip and speed at which motor is running.		
Q7(b)	(i) Write short notes on MCB and MCCB (ii) Write short notes on characteristics of batteries.		

downloaded from
StudentSuvidha.com